

Accurately Measuring Nanoamperes

Using the Tektronix DMM4020 Multimeter

Application Note

In today's electronics, measuring standby power or current leakage is a common task during debug and design validation. With consumer demand for longer battery life and energy efficient products, design engineers must carefully manage the energy lost to current leakage, requiring accurate measurements.

Standby current leakage is often designed into a device. It is a side-effect of products providing "instant-on" capability, consumer electronics with always-on clock displays, as well as power conversion devices such as battery chargers. Because

energy is power multiplied by time, even if the standby power level is low, a significant amount of energy can be consumed over long time periods, dissipating AC line power and draining power stored in batteries.

Accurately measuring low-level leakage currents in the nanoampere range is a challenge for most digital multimeters. The Tektronix DMM4020 multimeter offers a dedicated circuit for measuring leakage currents with a resolution of 1 nA to meet this challenge.

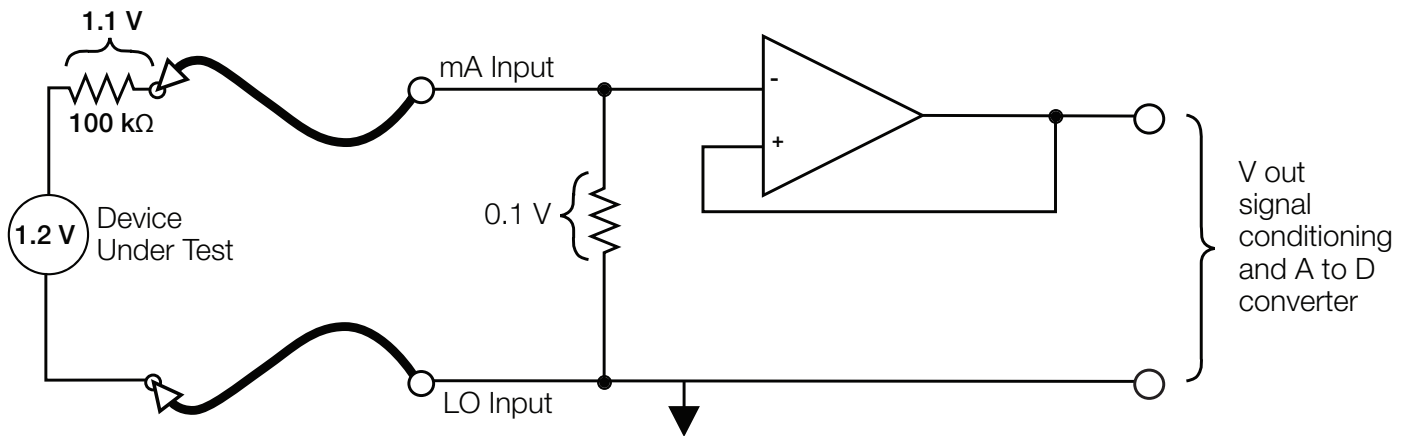


Figure 1. Circuitry of a shunt multimeter used as an ammeter.

Measuring Standby Current Leakage

Measuring standby current seems like it would be an easy task. Simply apply the leads of a quality digital multimeter (DMM) to the appropriate terminals and measure for direct current amperes. In reality, the task is not so simple, because current leakage typically falls in the low microampere range, and measurements made with traditional DMMs can be inaccurate.

DMMs usually measure current by applying a known resistance in the form of a shunt resistor in series with the circuit being tested and allowing a current to flow through the circuit. With the current flowing, the DMM measures the

voltage drop across the shunt resistor and uses Ohm's Law to calculate the current. This shunt-resistor method introduces a voltage drop, called the burden voltage, across the shunt as shown in Figure 1. The burden voltage becomes a source of error because, in accordance with Kirchoff's voltage law (KVL), it subtracts from the supplied voltage in the circuit. Errors of 50% or more are possible.

By using a lower shunt resistance, you can reduce the amount of error, and high-end DMMs do offer selectable current ranges with variable shunt values. However, using low shunt resistance values will increase the measured voltage sensitivity to the point that the measurement becomes inaccurate and unstable.

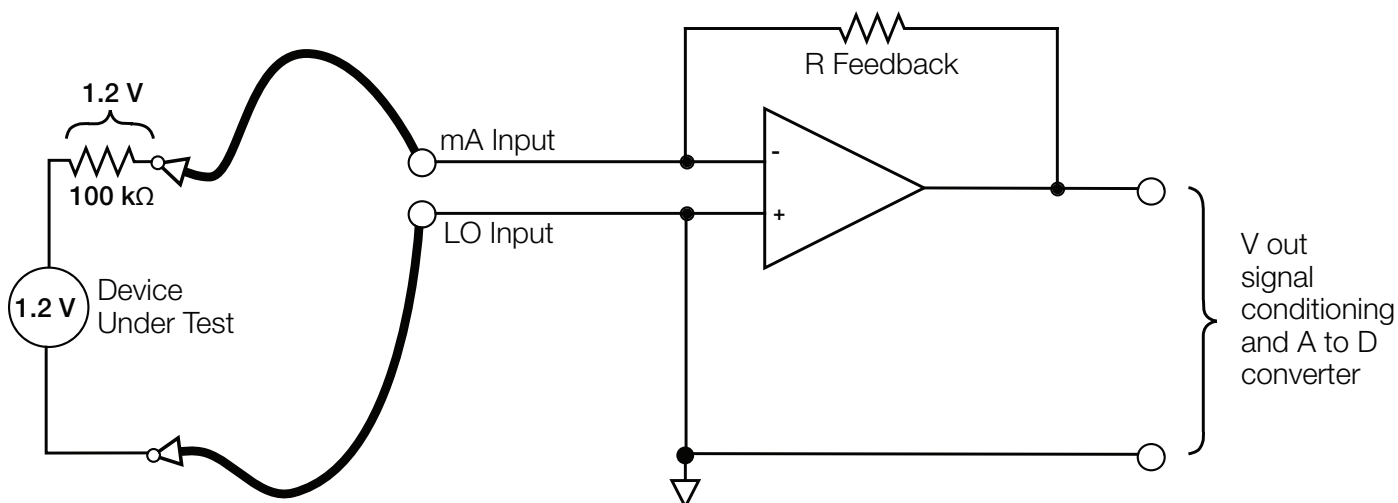


Figure 2. Circuitry in a feedback DMM used as a low-current ammeter. The Tektronix DMM4020 multimeter is such a tool.

Much better accuracy can be achieved using a DMM that functions as an ammeter in low-current applications by using a current-to-voltage operational amplifier (op amp) conversion technique in series with the circuit, as shown in Figure 2.

For example, a circuit with a 1.2 V dc supply and a device under test load of 100 k Ω results in a calculated current of 12 μ A. However, with the additional series meter shunt resistance (10 k Ω), the measured current through the device under test will drop to 10.909 μ A. To improve the sensitivity of low current measurements, ammeter design engineers will increase the shunt resistance; as the shunt resistance increases, so will the error.

The Tektronix DMM4020 digital multimeter employs a current-to-voltage op amp in two low direct-current ranges: 2000 μ A and 200 μ A. In these ranges, the op amp introduces a low impedance into the circuit and converts the unknown input current to a voltage, eliminating the need for a low resistance shunt and thereby eliminating the burden voltage. The result is an instrument that, for low-current measurements in the stated ranges, provides resolution up to 1 nA with 0.03% accuracy, and has minimal loading affect on the measurement. Now, standby currents can be accurately measured with the DMM4020 bench multimeter from Tektronix.

Be Alert to Error Sources

In making low-current measurements, you should be aware of the possible sources of measurement errors and how to keep them from having an impact on your measurements. Here are some common error points:

- Extraneous leakage current such as those caused by contaminants—dirt, grease, solder flux, etc. Whether on the device being tested, the test instrument itself or the test cables or connectors, contaminants can provide alternative paths for current to follow and thereby introduce errors into measurements. Before conducting low-current tests, you should clean all potentially contaminated surfaces with alcohol.
- Noise of any kind can introduce errors into low-current readings:
 - AC line noise can overwhelm sensitive amplifiers creating inaccurate readings. Filtering can help, and using either coaxial or shielded twisted-pair test cables will reduce erroneous readings.
 - Audible noise of any kind can introduce vibration into the measuring process. Vibration can, in turn, lead to the movement of a conductor against an insulator, creating error-producing noise in the circuit.
 - Thermal noise is produced when heat in the shunt or the device being tested stimulates the random motion and collisions of electrons in the circuit. The resulting voltage and current are proportional to the square of the resistance in the circuit (from both the device under test and the measurement circuit). Using shunts with lower resistances will help.

Contact Tektronix:

ASEAN / Australasia (65) 6356 3900
Austria +41 52 675 3777
Balkans, Israel, South Africa and other ISE Countries +41 52 675 3777
Belgium 07 81 60166
Brazil +55 (11) 3759-7627
Canada 1 (800) 661-5625
Central East Europe, Ukraine and the Baltics +41 52 675 3777
Central Europe & Greece +41 52 675 3777
Denmark +45 80 88 1401
Finland +41 52 675 3777
France +33 (0) 1 69 86 81 81
Germany +49 (221) 94 77 400
Hong Kong (852) 2585-6688
India (91) 80-42922600
Italy +39 (02) 25086 1
Japan 81 (3) 6714-3010
Luxembourg +44 (0) 1344 392400
Mexico, Central/South America & Caribbean 52 (55) 54247900
Middle East, Asia and North Africa +41 52 675 3777
The Netherlands 090 02 021797
Norway 800 16098
People's Republic of China 86 (10) 6235 1230
Poland +41 52 675 3777
Portugal 80 08 12370
Republic of Korea 82 (2) 6917-5000
Russia & CIS +7 (495) 7484900
South Africa +27 11 206 8360
Spain (+34) 901 988 054
Sweden 020 08 80371
Switzerland +41 52 675 3777
Taiwan 886 (2) 2722-9622
United Kingdom & Ireland +44 (0) 1344 392400
USA 1 (800) 426-2200
For other areas contact Tektronix, Inc. at: 1 (503) 627-7111
Contact information updated 4 August 2009

For Further Information

Tektronix maintains a comprehensive, constantly expanding collection of application notes, technical briefs and other resources to help engineers working on the cutting edge of technology. Please visit www.tektronix.com



Copyright © 2009, Tektronix. All rights reserved. Tektronix products are covered by U.S. and foreign patents, issued and pending. Information in this publication supersedes that in all previously published material. Specification and price change privileges reserved. TEKTRONIX and TEK are registered trademarks of Tektronix, Inc. All other trade names referenced are the service marks, trademarks or registered trademarks of their respective companies.
09/09 EA/WWW 3MW-24435-0

Tektronix

NUBICOM
(주)누비콤

서울 본사 서울특별시 영등포구 경인로 775(문래동 3가, 에이스하이테크시티 3동 201호)
TEL: 070-7872-0701 FAX: 02-2167-3801 E-mail: sales@nubicom.co.kr

대전 사무소 대전광역시 유성구 대덕대로 593(도룡동 386-2) 대덕테크비즈센터 203호
TEL: 070-7872-0712 FAX: 042-863-2023 E-mail: inyeom@nubicom.co.kr

(주)누비콤은 텍트로닉스의 공식 전국 담당 대리점입니다