

## AC/DC CURRENT SENSOR CT6862/6863,9709

Current Sensors

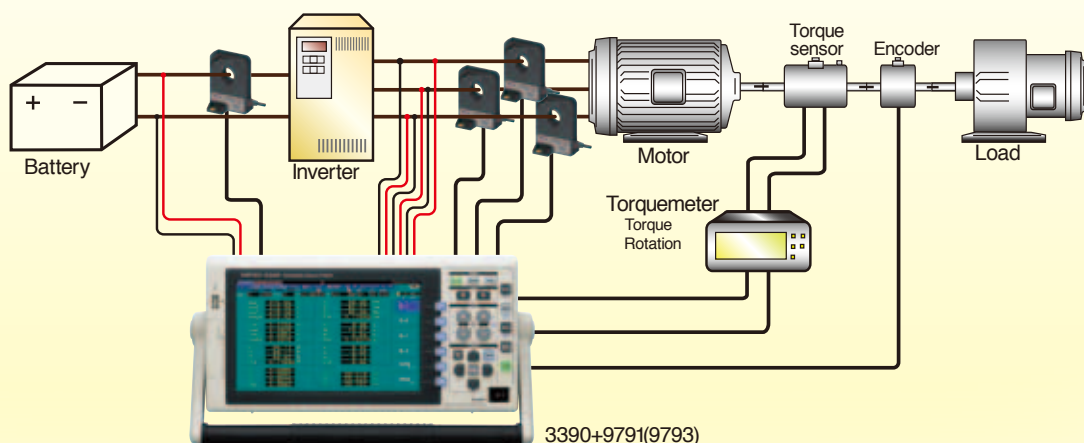


### Wide-Bandwidth and High-Precision Current Measurement



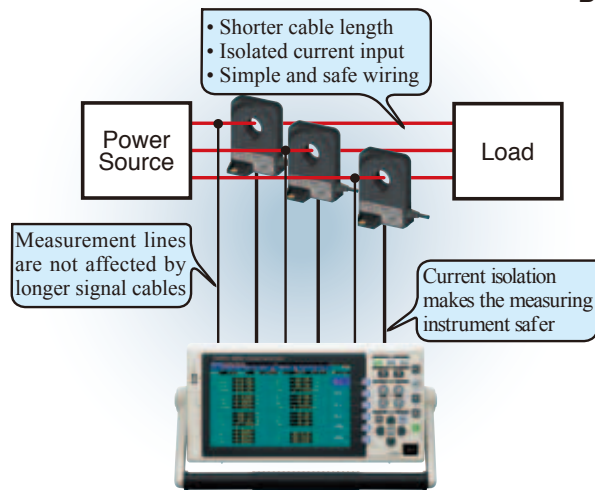
HIOKI 9709, CT6862, and CT6863 wide-bandwidth and high-precision AC/DC current sensors achieve high accuracy measurement of both small- and large-current signals. They can be used for a wide variety of applications in the fields of electric and hybrid electric vehicles, inverters and other devices, alternative energy sources such as solar power and fuel cells, as well as home electronic appliances and system equipment.

Ideal for comprehensive evaluation of wide-bandwidth and high-precision inverter motors



# HIOKI's Current Sensors Support More Accurate Current and Power Measurements

## ■When a current sensor is used:

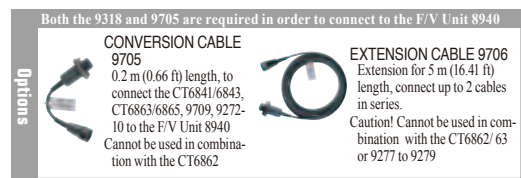
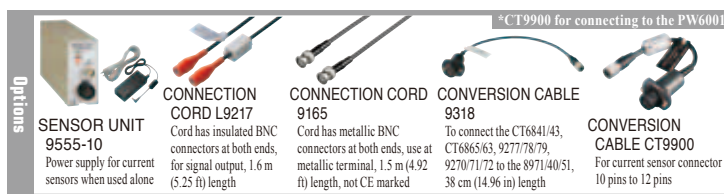


## New Age for Current Measurement with High Precision, Wide Bandwidth, and Excellent Temperature Characteristics

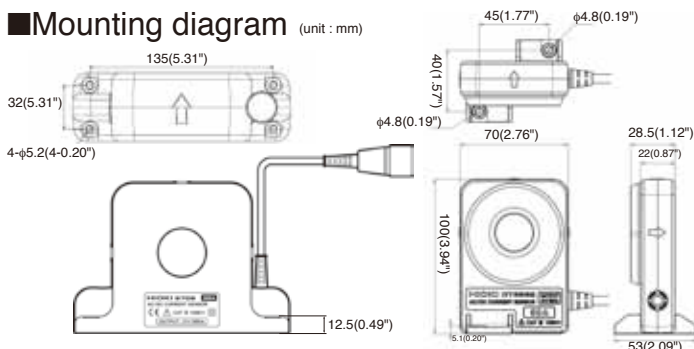
- Achieve a maximum accuracy of  $\pm 0.16\%$ , which is equivalent to power meters using a direct cable connection (when used with the POWER ANALYZER 3390).
- The cable connecting the power source and load can be made thicker and shorter to allow measurement to be performed in nearly the same cable condition as the real operation of a device under test.
- Insert loss is far smaller than with a shunt resistor so the operation of a device under test is not affected.
- A wide range of measurements are possible, including battery charge and discharge measurement and inverter secondary circuit measurement.
- A wide operating temperature range allows the sensor to be used in the same environment conditions as a device under test.
- Installing a power line is simple, secure, and safe.
- Excellent characteristics reduce the effect of the conductor position, external magnetic field, and magnetization
- CAT III 1000V Safe
- Convenient voltage output design

## ■Specifications

	CT6862	CT6863	9709
Frequency characteristics	DC to 1 MHz	DC to 500 kHz	DC to 100 kHz
Rated current	50 A AC/DC	200 A AC/DC	500 A AC/DC
Output voltage	2 V/50 A	2 V/200 A	2 V/500 A
Measurable conductor diameter	26 mm(1.02") or less		36 mm(1.42") or less
Compatible power meters	3193(with 9602), 3194 (with 9602), 3390, PW6001		
Output resistance	50 $\Omega$		
Basic accuracy	DC, $16\text{H } z \leq f \leq 400\text{ Hz}$ $\pm 0.05\%$ rdg. $\pm 0.01\%$ f.s. $\pm 0.2$ deg Accuracy is given for 0°C to 40°C, 80% rh or less		DC, $45\text{ Hz} \leq f \leq 66\text{ Hz}$ $\pm 0.05\%$ rdg. $\pm 0.01\%$ f.s. $\pm 0.2$ deg Accuracy is given for 18°C to 28°C, up to 80% rh
Period of accuracy guaranteed	Accuracy guaranteed for 1 year, Post-adjustment accuracy guaranteed for 1 year		Accuracy guaranteed for 6 months, Post-adjustment accuracy guaranteed for 6 months
Max. rated voltage to earth	AC/DC 1000 V (50/60 Hz) (measurement category III)		
Cord length	3 m (9.84 ft)		
Operating temperature and humidity range	-30°C to 85°C, 80% rh or less (with no condensation)		0°C to 50°C, 80% rh or less (with no condensation)
Dimensions, Mass	70W (2.76") $\times$ 100H (3.94") $\times$ 53D (2.09") mm, 340 g (12.0 oz)		160W (6.30") $\times$ 112H (4.41") $\times$ 50D (1.97") mm, 850 g (30.0 oz)
Supplied Accessories	Instruction manual $\times$ 1, Mark bands $\times$ 6		



## ■Mounting diagram (unit : mm)



## ■ AC/DC CURRENT SENSOR

<b>Order Code:</b>	<b>CT6862</b>	(50 A AC/DC)
	<b>CT6862-05</b>	(50 A AC/DC, 12 pin terminal, for the PW6001 only)
	<b>CT6863</b>	(200 A AC/DC)
	<b>CT6863-05</b>	(200 A AC/DC, 12 pin terminal, for the PW6001 only)
	<b>9709</b>	(500 A AC/DC)
	<b>9709-05</b>	(500 A AC/DC, 12 pin terminal, for the PW6001 only)

Note: Company names and Product names appearing in this catalog are trademarks or registered trademarks of various companies.

# HIOKI

HIOKI E. E. CORPORATION

### HEADQUARTERS

81 Koizumi, Ueda, Nagano, 386-1192, Japan  
TEL +81-268-28-0562 FAX +81-268-28-0568  
http://www.hioki.com / E-mail: os-com@hioki.co.jp

### HIOKI USA CORPORATION

TEL +1-609-409-9109 FAX +1-609-409-9108  
http://www.hiokiusa.com / E-mail: hioki@hiokiusa.com

HIOKI (Shanghai) SALES & TRADING CO., LTD.  
TEL +86-21-63910090 FAX +86-21-63910360  
http://www.hioki.cn / E-mail: info@hioki.com.cn

HIOKI INDIA PRIVATE LIMITED  
TEL +91-124-6590210  
E-mail: hioki@hioki.in

HIOKI SINGAPORE PTE. LTD.  
TEL +65-6634-7677 FAX +65-6634-7477  
E-mail: info-sg@hioki.com.sg

HIOKI KOREA CO., LTD.  
TEL +82-2-2183-8847 FAX +82-2-2183-3360  
E-mail: info-kr@hioki.co.jp

DISTRIBUTED BY